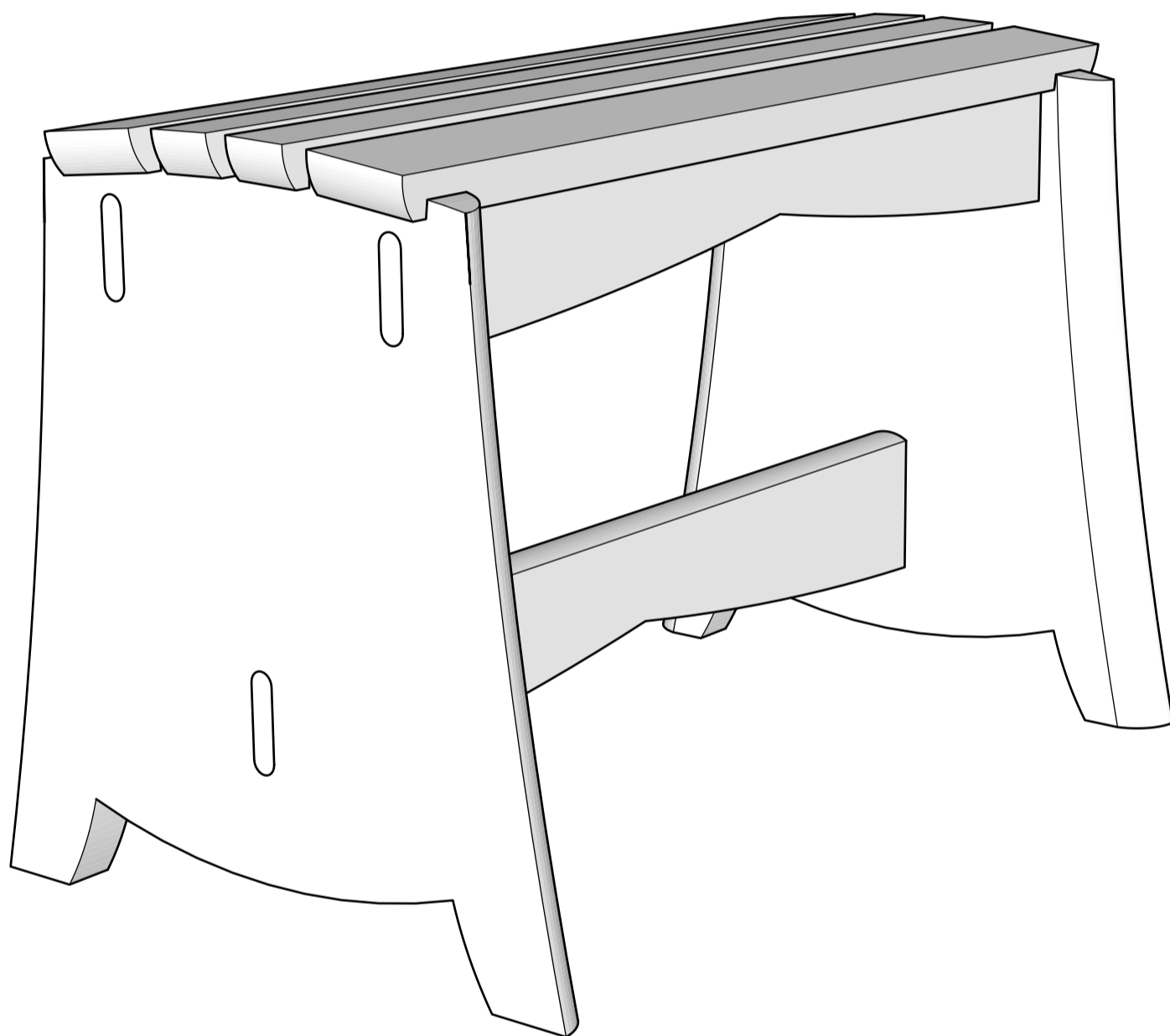


20.06

THE MORLEY STOOL



DESIGNED BY PHILIP MORLEY



AUSTIN SCHOOL OF FURNITURE + DESIGN

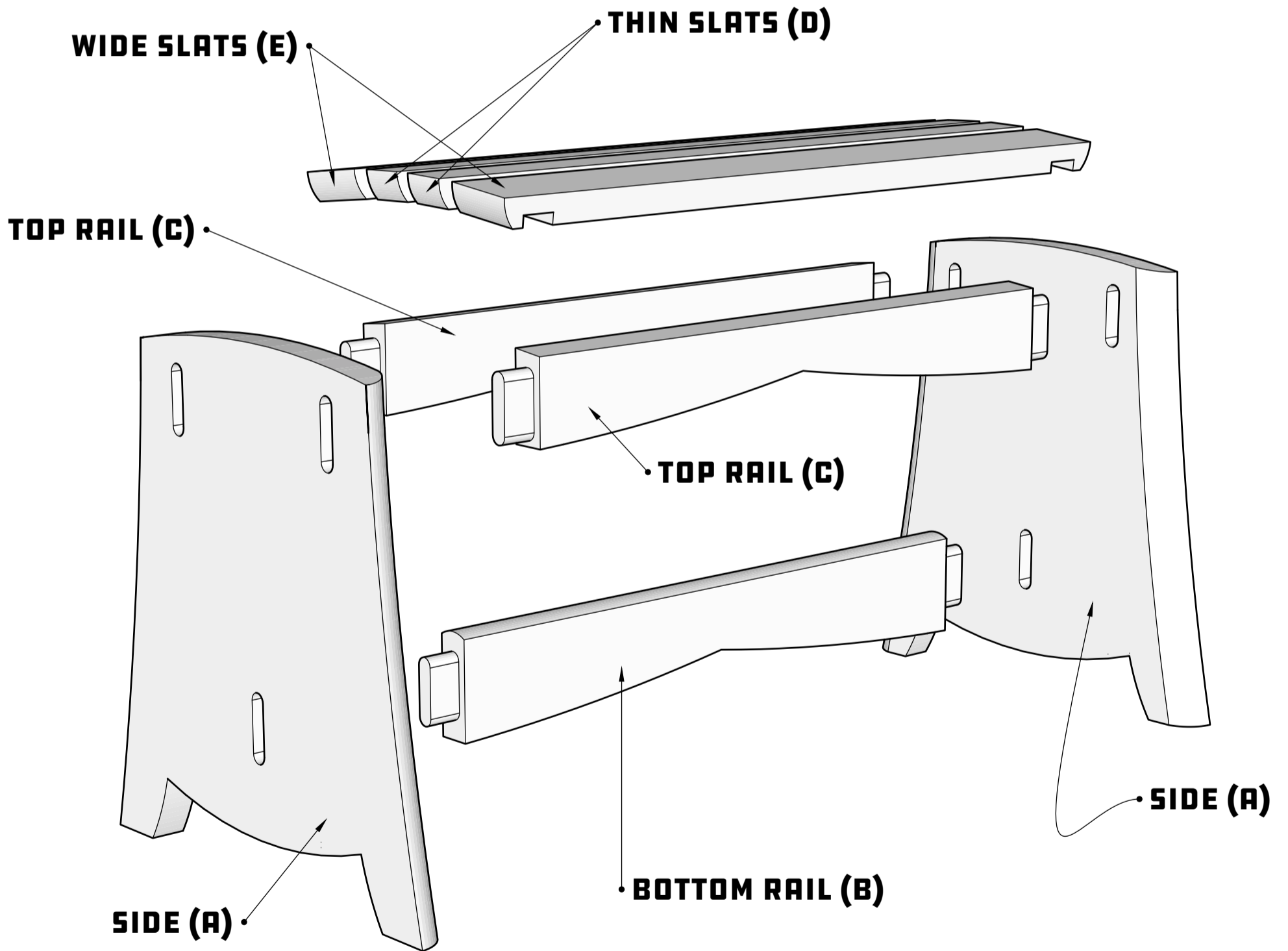
EST. 2018

AUSTIN SCHOOL OF FURNITURE + DESIGN

PARTS

KEY

PART	#	NAME	PART	#	NAME
A	2	Side	D	2	Thin Slat
B	1	Bottom Rail	E	2	Wide Slat
C	2	Top Rail			



DESIGNED BY PHILIP MORLEY



AUSTIN SCHOOL OF FURNITURE AND DESIGN

CONTACT@AUSTINSCHOOLOFFURNITURE.COM

DIAGRAM VIEW:

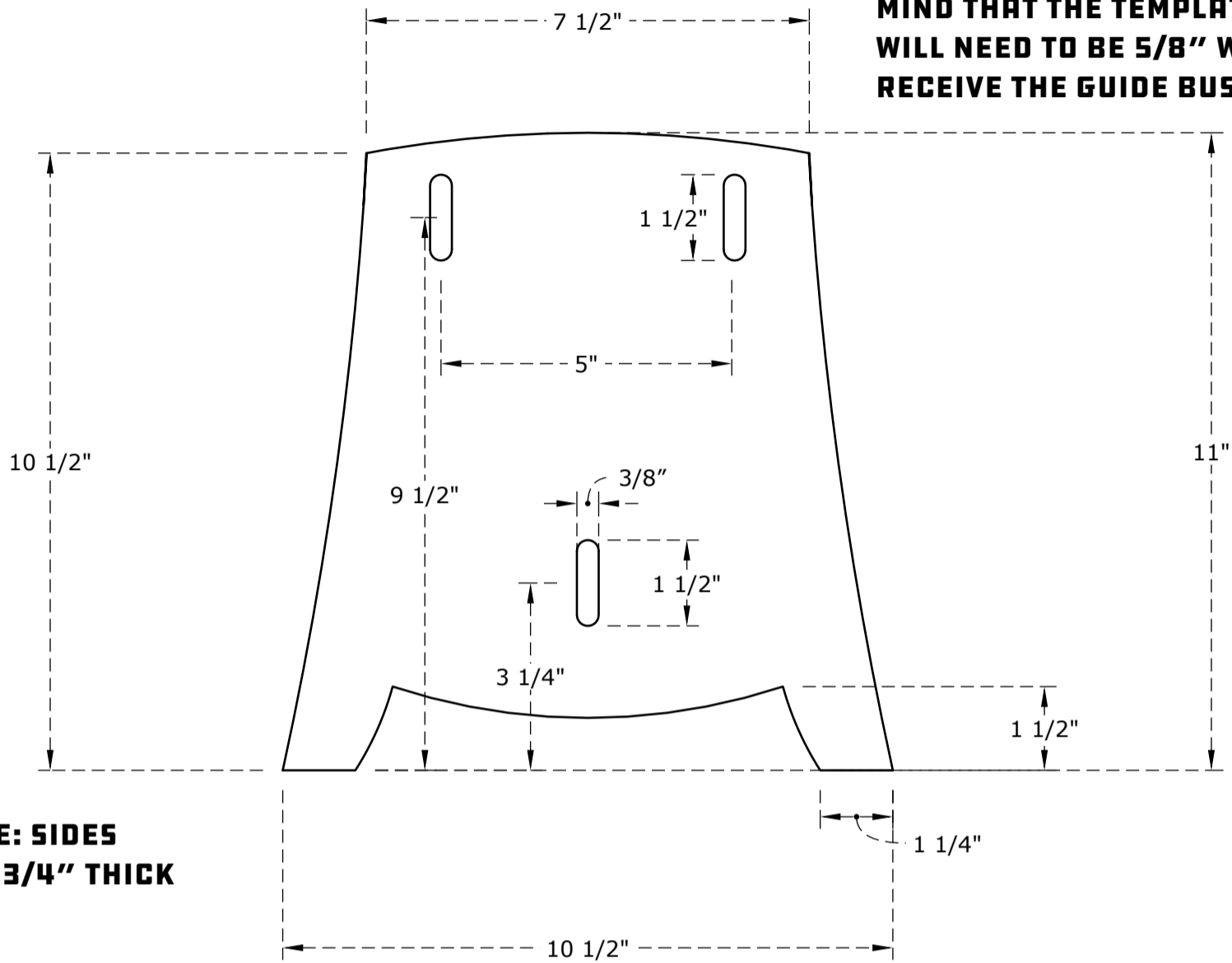
PARTS

MORLEY STOOL

1

SIDE (A)

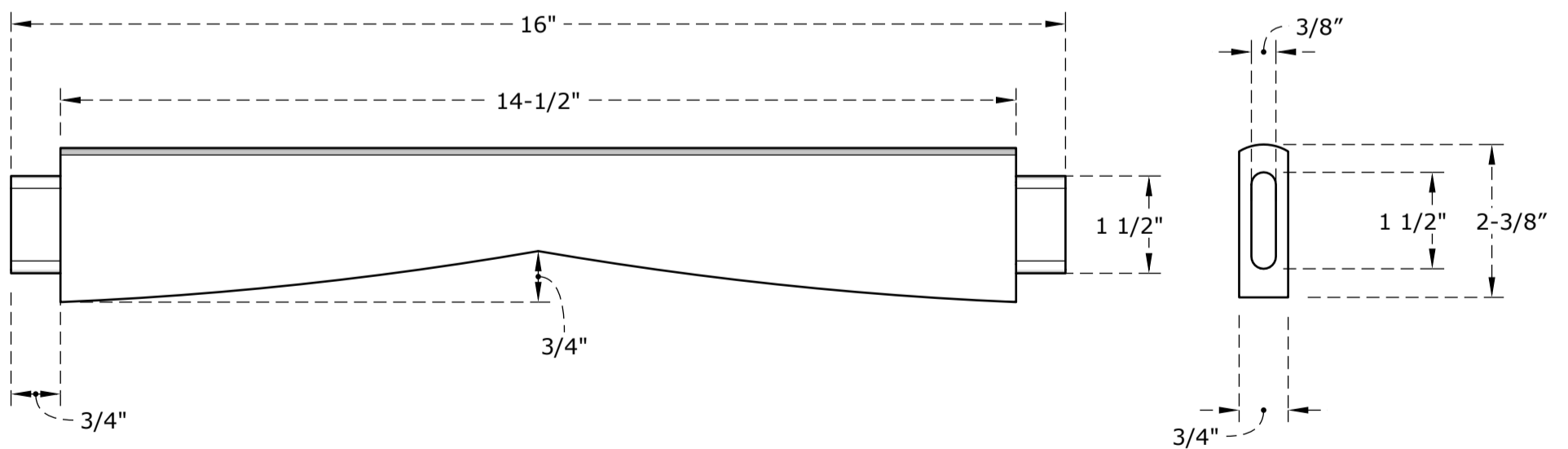
NOTE: IF YOU USE THIS DIAGRAM TO CREATE YOUR TEMPLATES KEEP IN MIND THAT THE TEMPLATE MORTISES WILL NEED TO BE 5/8" WIDE TO RECEIVE THE GUIDE BUSHING.



NOTE: SIDES ARE 3/4" THICK

BOTTOM RAIL (B)

NOTE: BOTTOM RAIL TENONS ARE PERFECTLY IN THE CENTER. 7/16" FROM THE TOP AND BOTTOM AND 3/16" FROM LEFT AND RIGHT SIDES.



DESIGNED BY PHILIP MORLEY



AUSTIN SCHOOL OF FURNITURE AND DESIGN

CONTACT@AUSTINSCHOOLOFFURNITURE.COM

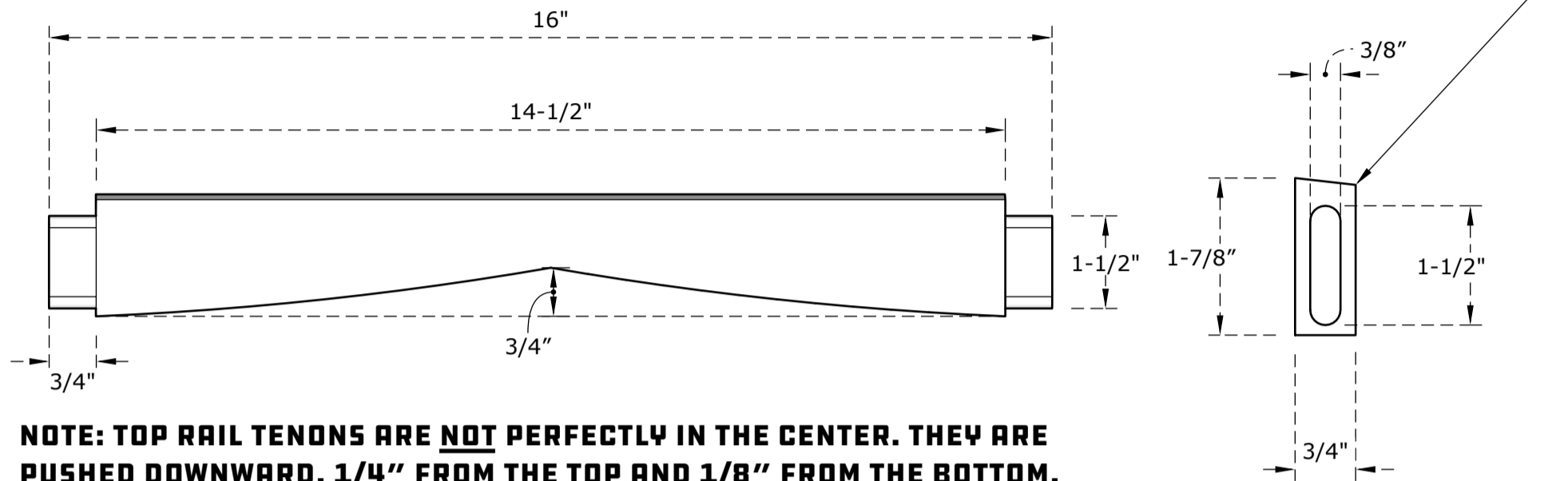
DIAGRAM VIEW:

SIDE & BOTTOM RAIL

MORLEY STOOL

2

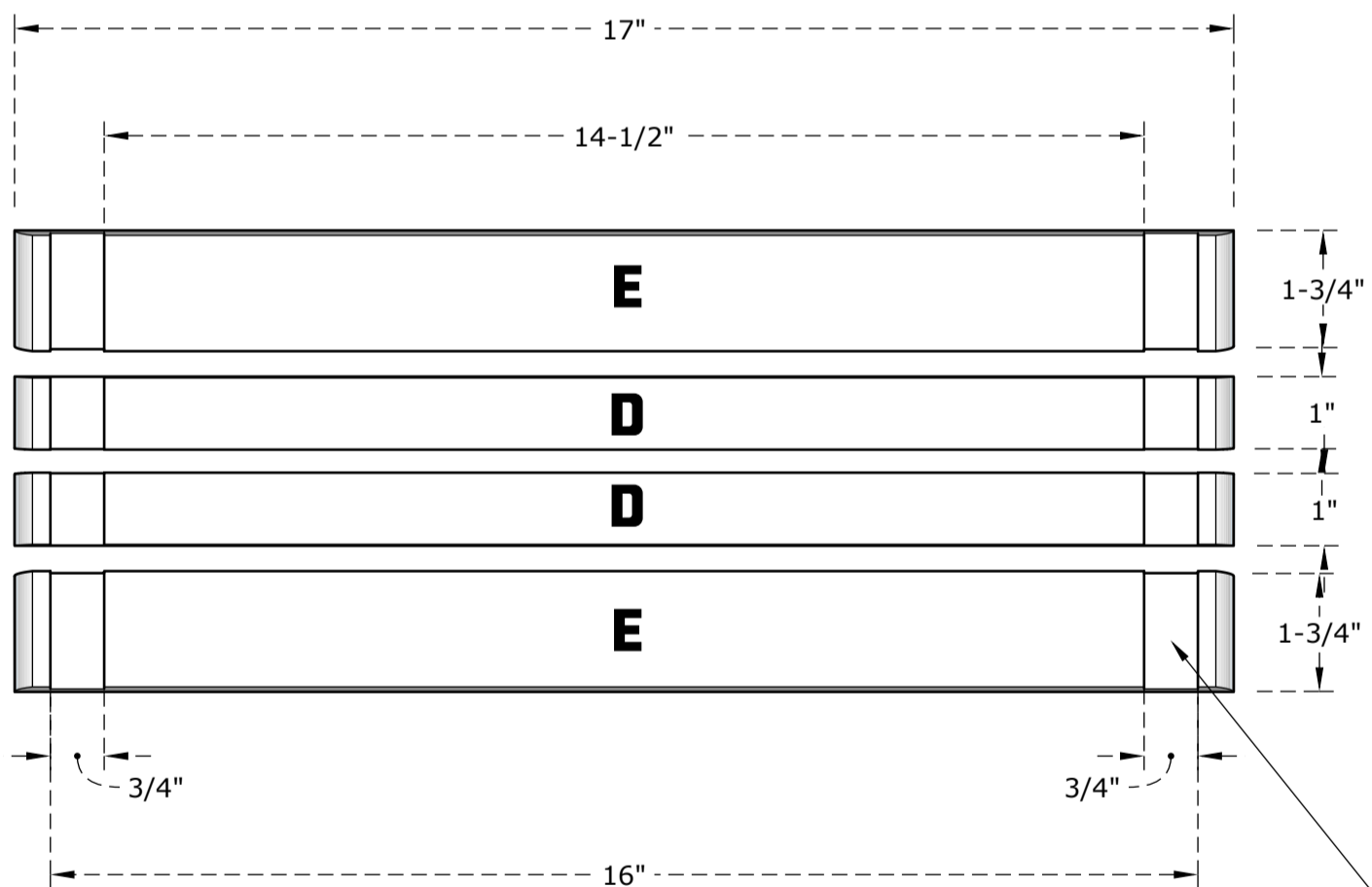
TOP RAIL (C)



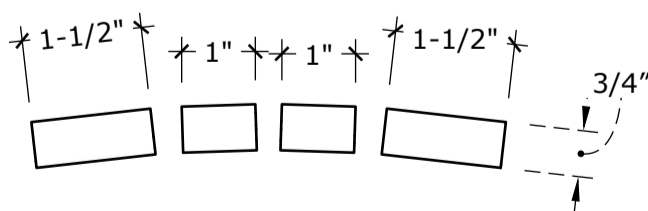
RAIL ANGLE IS OPTIONAL

NOTE: TOP RAIL TENONS ARE NOT PERFECTLY IN THE CENTER. THEY ARE PUSHED DOWNWARD. 1/4" FROM THE TOP AND 1/8" FROM THE BOTTOM. 3/16" FROM LEFT AND RIGHT SIDES.

SLATS (D,E)



Dado in bottom of slats 1/8" deep 3/4" wide



DESIGNED BY PHILIP MORLEY



AUSTIN SCHOOL OF FURNITURE AND DESIGN

CONTACT@AUSTINSCHOOLOFFURNITURE.COM

DIAGRAM VIEW:

TOP RAIL & SLATS

MORLEY STOOL

3

This project was designed by Philip Morley.
If you are interested in purchasing CNC cut
MDF templates for this project, please head
over to philipmorleyfurniture.com/templates.

